

INSTREAMER



INSTREAMER 100

**Network audio encoder for
commercial, industrial and
security applications**

Barix AG
Seefeldstrasse 303
CH-8008 Zürich
Switzerland

T +41 43 433 22 11
F +41 44 274 28 49

Barix Technology Inc.
2182 Helena Road
St. Paul, MN 55128
USA

T (866) 815-0866
F (209) 755-8435

www.barix.com
info@barix.com



Convert any analog or digital audio
source, including tuners and CD players,
into high-quality MP3 streams

Create network-based, multi-zone or
multi-room distributed audio systems
more cost effectively

IR control devices over the network via
standard web browsers, automation
software or original IR remote control



INSTREAMER

Technical Specifications

Audio Format:

MP3 (Variable BitRate up to 192 kBit),
G.711 (uLaw/aLaw @ 8 or 24 kHz),
PCM (16bit @ 8 or 24 kHz)

Audio Interfaces:

Line In (RCA, 4Vpp max level), S/PDIF In
(optical, RCA), Headphone Out (3.5 mm Jack)
level adjustable by browser

Network Interface:

RJ45 10/100 Mbit Ethernet (Auto), TCP/IP,
UDP, RTP, DHCP, SNMP, AutoIP, SonicIP, IPzator

Control Interfaces:

DSub 9pin male, 9600 Baud 8, N, I
3.5 mm Jack Infrared output for IR transmitter

Misc:

Two LED (red and green) status indicators
Reset/Factory default button

Power requirements:

9 to 30VDC / 12 to 24VAC, 4 Watt max.
power supply included (250g)

Case:

Aluminum, 258g, 4.25" x 1.5" x 3.1"
108mm x 38mm x 78.7mm

Operating temperature / humidity:

0 - 40°Celsius / 32 - 104 Deg. Fahrenheit
0-70% relative humidity, non-condensing

Certifications:

FCC B, CE B, RoHS compliant (lead free)

User Interface:

Browser based (integrated webservice for control and configuration), serial port or ethernet control API for automation systems

Overview

The Barix Instreamer 100 is a versatile, network-enabled analog and digital audio-to-Ethernet converter for commercial audio distribution.

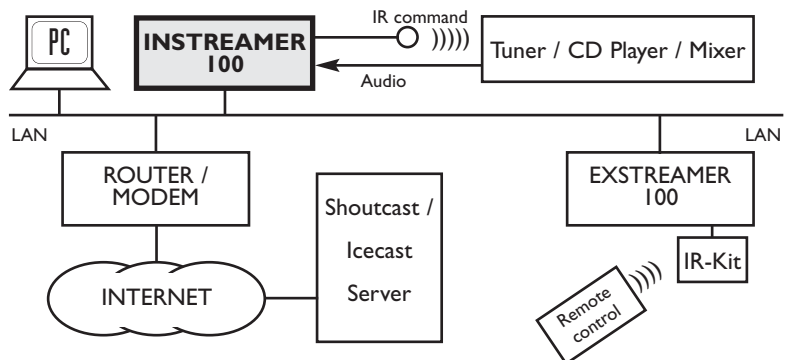
Barix Instreamer 100 converts audio from any analog or digital device into high-quality MP3 streams. The audio is encoded in real-time, and the generated audio stream can be distributed, via an IP-based network or the Internet, to one or more receivers or Shoutcast/Icecast-servers.

Barix Instreamer 100 can be easily managed via a web browser interface using PCs, web pads, PDAs or other web-enabled devices. With serial and Ethernet control APIs, open IP-standards, and the MP3 format, the device can also be integrated with other components, controlled by automation systems, or used with Barix's Exstreamer to create more flexible, more cost-effective distributed audio systems.

With an optional stick-on transmitter, additional IR-enabled devices can be remote controlled via the network connection, enabling users to control their audio sources without being in the same location as the device.

Common Applications

- Digital audio distribution via existing network infrastructures in the
- Creating flexible multi-room or multi-zone distributed audio systems
- Live broadcasting over IP
- Network enabling legacy digital and analog sources
- Cost-effective audio distribution throughout large buildings, hotels, airports and stadiums



Installation

Connecting the Barix Instreamer 100 to audio equipment is made simple by offering stereo RCA analog inputs as well as optical S/PDIF and coax digital inputs. Installing the Barix Instreamer 100 is fast and simple due to its unique features - SonicIP and IPzator: The device announces its IP address over the audio output after power-up!

The Instreamer 100 supports various control and communication modes. Software developers can easily write audio applications using one of the well-documented Ethernet, serial, or web-based interfaces.

For further information, detailed technical specifications, and information about other versions and products, please visit www.barix.com