

# HG2Z0414FC-MP

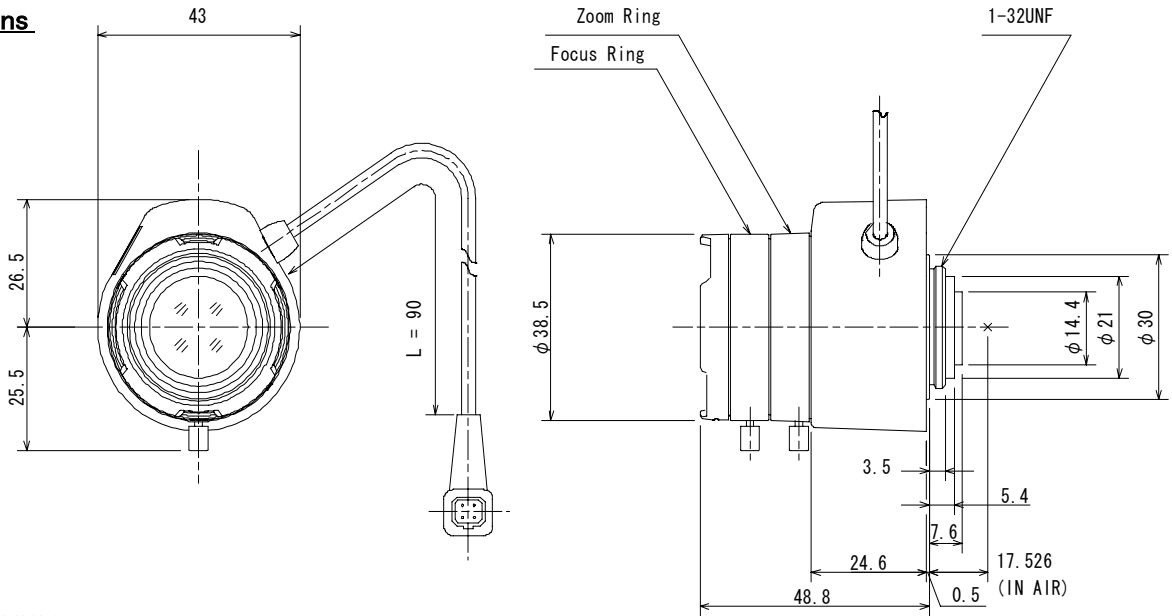
**2X 4-8mm F1.4**

**for 1/2 type Megapixel cameras, Vari-focal Auto Iris DC Drive**

**C-Mount**

Model No.	HG2Z0414FC-MP		Effective	Front	φ 22.2mm		
Focal Length	4mm - 8mm		Lens Aperture	Rear	φ 10.7mm		
Max. Aperture Ratio	1 : 1.4		Back Focal Length	Tele	16.4mm		
Max. Image Format	6.4mm x 4.8mm (φ 8mm)			Wide	11.0mm		
Operation Range	Iris	F1.4 - F360		Flange Back Length			17.526mm
	Focus	0.5m - Inf.		Mount			C-Mount
	Zoom	4mm - 8mm		Filter Size			-
Control	Iris	DC Auto Iris		Dimensions			φ 38.5mm x 48mm x 48.8mm
	Focus	Manual		Weight			75g
	Zoom	Manual					
Angle of View	D	1/2 type	115.9° - 58.8°	1/3 type	84.5° - 44.1°	1/4 type	62.7° - 33.1°
	H		90.4° - 47.0°		67.0° - 35.3°		50.0° - 26.5°
	V		67.0° - 35.3°		50.0° - 26.5°		37.4° - 19.8°
Coil	Drive	190 Ω					
	Control	855 Ω					
Operating Temperature	-10°C - +50°C						

**Dimensions**



**Wiring Diagram**

