

Pharos™ from EyeLynx - The ALL-IN-ONE security solution



Pharos™ (Master Hub)

- ◆ Megapixel PTZ camera
- ◆ SharpView Micro-NVR
- ◆ WiFi, GigE, 4G, 3G

Link
 all site
 security
 devices to
 Pharos™ for
 single point
 recording
 control
 view

Record any other IP camera (slaves)



Interface Input and Output devices



Remotely monitor and control all devices



Pharos™ SVC-7385MI

- ▶ Worlds most powerful rapid deployment wireless CCTV camera system
- ▶ Integrated Panasonic PTZ HD camera, SharpView NVR, 4G/3G router and WiFi
- ▶ Edge Recording Cluster Technology (ERC™)
- ▶ Fully integrated audio and alarms
- ▶ Super Dynamic Face Detection
- ▶ Industrial grade IP66 system

Perfect Rapid Deployment CCTV

Pharos™ is the ideal modular unit for CCTV that can grow to a large scale security system. Record high quality video, interface alarms and control barriers or gates from a remote location.

Pharos™ includes a Super Dynamic HD PTZ camera with SharpView Micro, the World's smallest, lowest power NVR with built in WiFi and a 4G/3G mobile router. Perfect where mains power or cabled communications is not available.

Pharos™ forms the hub (master) and records from networked (slave) cameras using built-in Edge Recording Cluster Technology ERC™.

Hundreds of Pharos™ systems can be fully controlled using **SharpView Manager Professional**, available free for Windows or Apple Mac OS X.

SharpView Manager Professional



- ▶ Professional Command and Control VMS security management software
- ▶ Fully integrated with ARC software
- ▶ Codecs for MPEG4, H.264, MJPEG
- ▶ Alarms, Mapping, Back-up, Macros, Logs
- ▶ Live view, download, instant playback
- ▶ Scalable; control thousands of Pharos™ systems
- ▶ Cross platform: Windows, Mac OS X, Linux

Features at a glance

- ◆ Integrated ultra low power SharpView Micro NVR
- ◆ Simultaneously records networked cameras ERC™
- ◆ > 90 days recording with 1TB hard disk
- ◆ Powerful 216x optical and digital zoom
- ◆ Evidential quality 1280 x 960 or HD720p video
- ◆ H.264, MPEG4 and MJPEG dual streaming
- ◆ True Day/Night sensor down to 0.06 Lux sensitivity
- ◆ Advanced motion detection with situation alert
- ◆ Tri-band HSUPA 7.2Mbps down**, 5.76Mbps up**
- ◆ 4G/3G and 2G: 850 / 900 / 1800 / 1900 / 2100MHz
- ◆ WiFi integrated 802.11b,g,n up to 150Mbps**
- ◆ Fully monitored; integrated into Alarm Receiving Centres
- ◆ Audio output for PA warnings
- ◆ Integrated with wireless PIR detectors
- ◆ Operates from solar, wind turbine, DC or mains power

Pharos™ is designed with total reliability in mind. The SVC-7835MI integrates a SharpView Micro NVR with Panasonic's WV-SC385, the total power consumption is the lowest in the industry. SharpView is a solid, reliable and highly secure software platform. Using enterprise grade Linux operating system, it is inherently immune from software attacks and computer viruses.



Edge Recording Cluster Technology ERC™

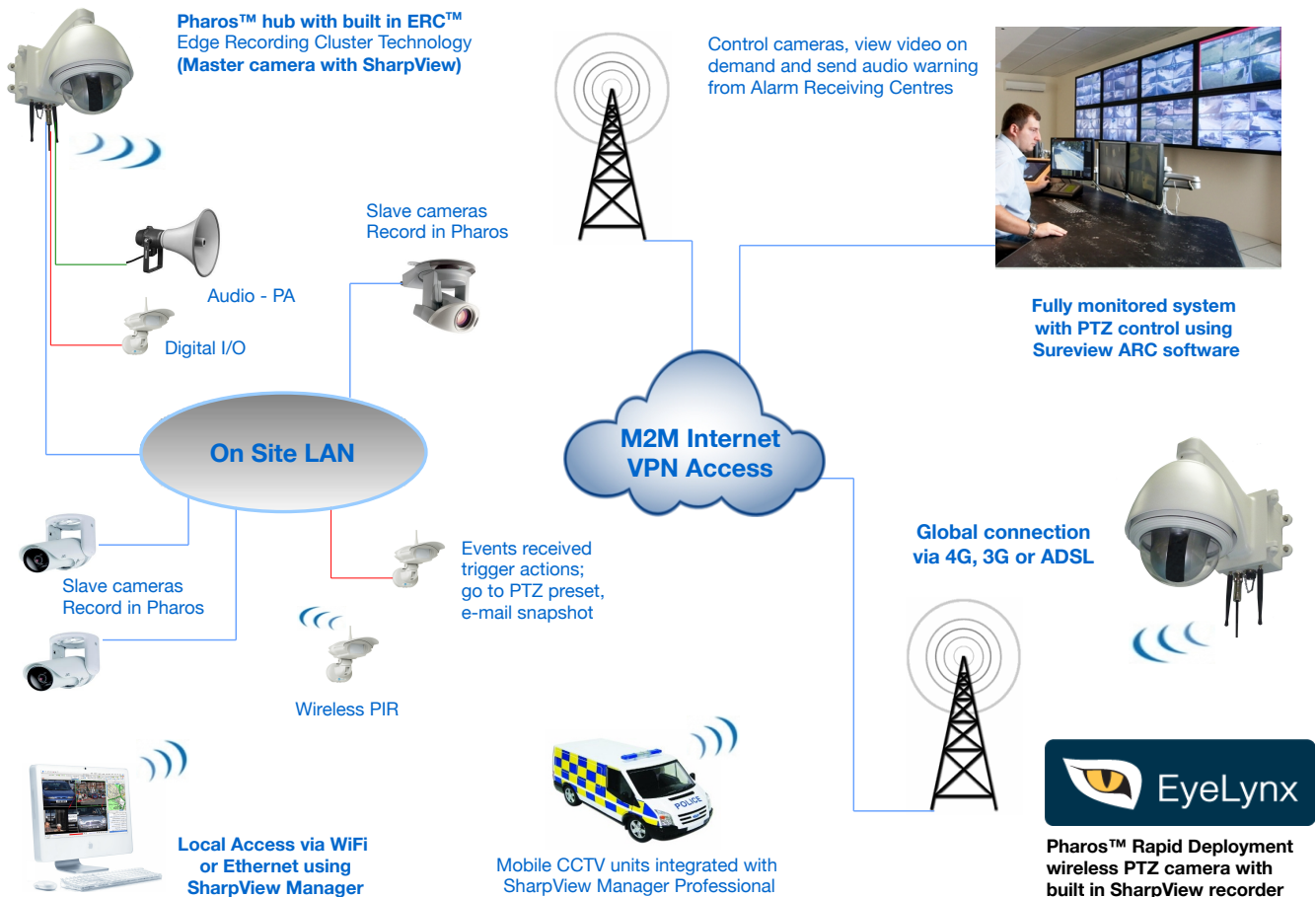
Uniquely, Pharos™ will record clusters of networked cameras within the built in SharpView Micro NVR, thereby allowing users to create CCTV systems on the edge for a cost effective multi-camera HD CCTV system.

Modular in design and scalable, **Pharos™** provides solutions for unlimited number of units that can be deployed in any terrain and location. Integration with video analytics, access control, fire alarms, PIR, intercoms, GPS tracking and mapping is also easily achieved with SharpView.

Pharos™ can be configured using any web browser. All system parameters can be set or changed over SSL connection and vital system information can be accessed in the same way. Video recording parameters are set up either directly in the IP camera or encoder or via the configurations options where frame rate, resolution, motion detection, storage times and schedules can be set.

Video streams are stored on a proprietary file format that ensures the highest security. The system supports triggered recording, for example motion detection or alarm events with pre-recordings saved at higher quality (resolution and frame rate).

Units operate from either 110 / 240VAC or 9-36VDC supply needing typically 15W of power during normal use. The chassis is made from cast aluminium and rated IP66. As with all EyeLynx products, Pharos™ is built to a robust standard for unsurpassed quality, reliability and performance.



Typical system architecture

TECHNICAL SPECIFICATIONS

Camera - Master

Image Sensor	1/3" type 1.3MP double speed MOS	
No. of effective pixels	1280 (H) x 960 (V)	
Lens	18 X optical zoom (36 X in VGA) 12 X digital zoom	
Focal Length	4.7mm - 84.6mm	
Minimum Illumination	0.06 Lux (night mode, F1.6, 1/30)	
Exposure Range	Super Dynamic and ABS Face Super Dynamic	
Pan Rotation Angle	360° Pan-Flip	
Pan Speed	300° /sec Max 0.5° / sec Min	
Tilt Angle	+30° to -90° (from horizontal)	
Tilt Speed	100° / sec Max 0.5° / sec Min	
Automatic modes	Auto Tracking Auto Panning	
Presets	64 positions	
Privacy zones	Up to 8 zones, Grey / Mosaic	
Compression	H.264, MPEG4, M-JPEG	
Resolution	4:3	1280 x 960, VGA, QVGA
	16:9	1280 x 720, 640 x 360, 320 x 180
Quality	Configurable 32Kbps to 8Mbps	

Interfaces

Digital I/O	3/1	
Serial	RS232C	
Network	See under Communications	

Recording

NVR software	SharpView proprietary system
Storage Capacity	500GB or 1000GB hard disk
Inputs	Master plus 4 slave IP cameras
Resolution	QCIF, D1, VGA, HD720p, HD1080p, 2560 x 1920, 4008 x 2672
Frame rate per channel	Programmable from 0.1fps to 30fps
Performance	Maximum 20Mbps / 120 fps
Event Recording	Pre and post event recording
Data Streaming	RTSP, HTTP, RTP, TCP, UDP, SMTP, SSH, SSL

Communications

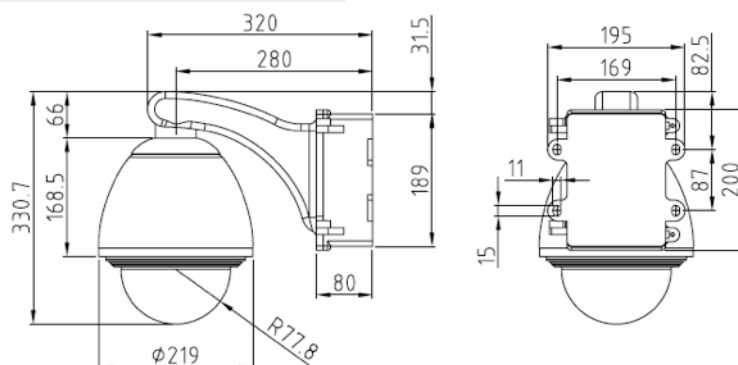
Ethernet	RJ45 Gigabit Ethernet
Wireless LAN	802.11b,g,n 150Mbps, 128-bit WEP
4G/3G/HSUPA	4G/3G, Tri-Band 850/1900/2100MHz

Audio

Output	Line-out channel
--------	------------------

Environmental

Operating Temperature	-10 to +55 degrees C	
Ingress protection	Complies with IP66 EN60529	
Power Supply *	Mains	110 - 240 VAC supply
	Battery	9 - 36 VDC
Power Consumption	15W (typical), 22W*** (Max)	
Construction	Cast-Aluminium including outer sun- screen, polycarbonate bubble	
Weight	7.6Kg (excluding cables, accessories)	
Dimensions	Shown below in mm	





SharpView Manager Professional

Feature rich security management software that allows users to manage their CCTV with complete integration of IP devices on the network. SharpView Manager is available for Win XP, Vista, Windows7 or Apple Mac OS X.

Access Control, Fire Alarms, Motion sensors and Intercoms can all be managed alongside CCTV and more importantly linked to each other using the Connections module that allows local on-site customisation via simple macro scripting. Security personnel can be alerted to specific events and have confidence in their system to carry out automated responses to alarms. The user interface is configurable and all feature modules (plug-ins) can be repositioned or undocked for multiple screens. Unlimited number of users can use SharpView Manager.

Video View

Displays cameras with play controls in either 1, 4, 9, 16, 25 or 36-way screen split options. Monitor feature provides extra Video View for up to a total of 72-ways. Save images (snapshot) as jpeg, instant print, digital PTZ with preview window, create virtual cameras, mark incidents with Tags for instant access and review.

Play controls include slow-motion, x2048 fast forward and rewind speeds, pause and an interactive timeline marker bar which represents recorded video. Recordings can also be accessed by simple date and time entry for either a selected camera or all cameras in a multi-way.

Device Manager

Allows users to see all IP cameras, NVRs, DVRs, and workstations on the system either by classic tree view or by location groups. PTZ control for supported cameras is provided by use of the mouse or via USB joystick.

Back-Up Manager

Video clips can be downloaded from the recorder to the local hard disk or to any storage device on the network in the original video format. Downloaded clips can be further exported into .avi or .mov. Previously downloaded clips can be mounted and viewed alongside the live video.

Mapping

Cameras can be represented on an interactive map of the premises. Positions of alarms, access control points, intercoms and motion sensors can be marked out on the map.

The relative PTZ position of each sensor can be preset in the camera or DVR and linked to the device manager so that by simply clicking on a particular part of the map, the associated camera will reposition to that preset coordinate.

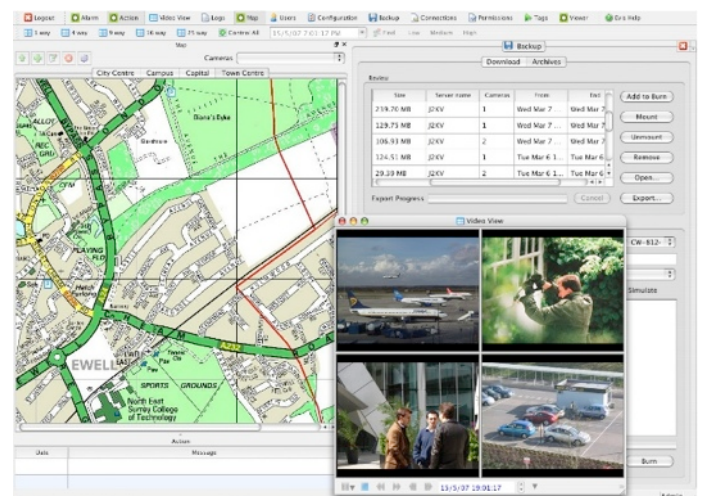
Alarm Manager

Alarm Manager 'listens' and logs events by time, date, reference and allows specific actions to follow after an alarm. Alarms could be video intelligence alerts, motion detection from cameras or PIR motion sensors, fire detectors, door entry systems or even monitors from other electronic devices on the network.

Connections

This module allows the user to create specific responses to triggers received by the system via simple scripting or by use of the wizard. This powerful module enables the user to design the security based on 'action on event' specified criteria.

An action could be to start a macro that sends an e-mail alert, plays a sound file and transmits an image to a security guard's workstation following the triggering of an intruder alarm. All plug-in modules are scriptable within Connections, thereby the user is able to link and control any devices that are connected to the system.



Typical Screen showing Video View, Back-Up, Mapping

Data Logs

This plug-in logs events from any plug-in or device driver in the system so the administrator can export the data for future analysis.

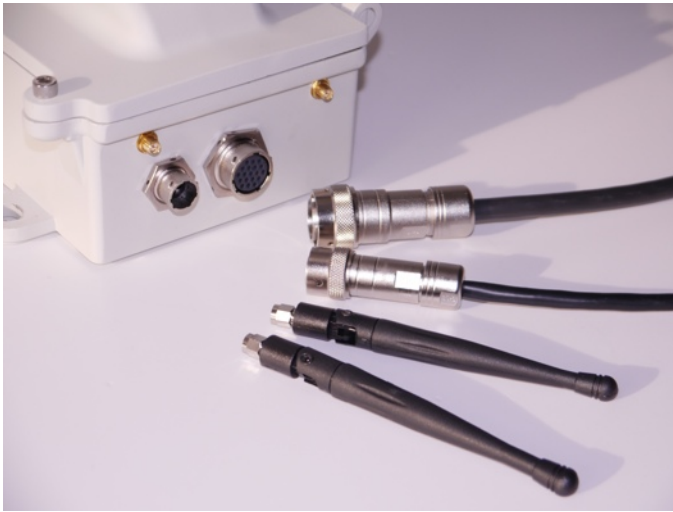
Users Profile

This module defines the users' access rights. The administrator can control which plug-in modules the user can and cannot access.

Permissions

Permissions allows the user to specify at the plug-in level which functions in the plug-in a user profile can execute.

Standard Accessories



- 2m Power cable fitted with AC and DC input connectors
- 2m Signal cable
- Omni-directional WiFi antenna
- Omni-directional 3G antenna

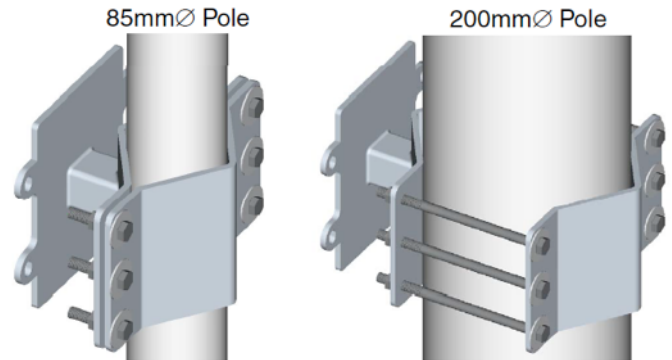
* **Optional hardware or software features - specify on ordering**

** **Data rates dependent on service provider and signal strength**

*** **Peak power consumption subject to hardware configuration**

Optional Accessories

- Universal pole mount bracket; Galvanized steel, fits Pharos to poles between 85mm to 200mm diameter (specify pole diameter for bolt lengths). Enquire for thinner poles.



- 7m Power cable fitted with AC and DC connectors
- 7m Signal cable
- Solar, wind turbine battery power unit
- Outdoor 20W PA horn speaker with amplifier in IP66 box
- Panasonic Toughbook, pre-installed with SharpView Manager
- Mobile SharpView Manager workstation unit; rugged built in screen, WiFi, PTZ controller, high strength, durable, watertight case

Distributed by:

Premier Electronics Ltd
11 The Old Building Bishops College
Chesnut Hertfordshire EN8 9XH

T: +44 (0) 1992 478 321
E: sales@premierelect.co.uk
W: www.premierelect.co.uk



EyeLynx Limited
Trident Court
One Oakcroft Road
Chessington
Surrey
KT9 1RH, UK
www.eyelynx.com

