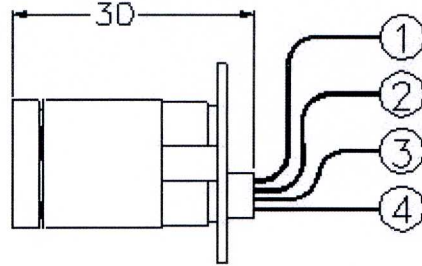
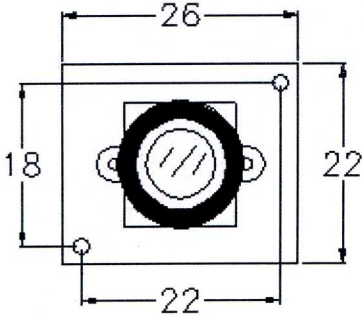


MTV-54C2A/5V color board camera specifications



Image device	1/4" inline transfer CCD
Signal system	PAL
Picture element	512(H)x582(V)
Scanning system	2:1 interlace
Sync. system	Internal sync.
Resolution	380 TV lines / 470 TV lines enhanced
Minimum illumination	1 Lux@F1.2 / 5600°K
S/N ratio	min. 52dB, typ 60dB (AGC OFF)
AE electronic iris lens / Shutter Control	Auto, 1/50 ~ 1/120 000
Gamma	0.45
White balance	Auto, high speed 2200 - 15000°K with S filter 3200 - 10000°K with normal filter
Mirror function	ON / OFF
Auto gain control	ON
Video output signal	Composite : 1V p-p, 75 ohm load
Lens	3.6mm F2.0
Operation temp. / humidity	-20°C ~ 50°C / 85% RH
Power supply	DC 5V / 160mA

*Specifications and appearance may changed without prior notice.



P1 : +5V DC (red)
 P2 : GND (black)
 P3 : Video (white)
 P4 : Mirror (yellow)

P4 open = normal
 P4 to GND = mirror

Warning !
Never connect P4 to +5V,
damage will be occurred !